

KITZ

NEWS

ZJ Series

NEW Aluminum Butterfly Valves

KEY FEATURES / BENEFITS

- Reasonable Price
- Lighter but Tougher
- Durability : 10,000time
- Dew Condensation Proof
- Easy Alignment & Installation



KITZ CORPORATION

ZJ Series (Aluminum Butterfly Valves)

■ PA66 / Polyamide 66 is

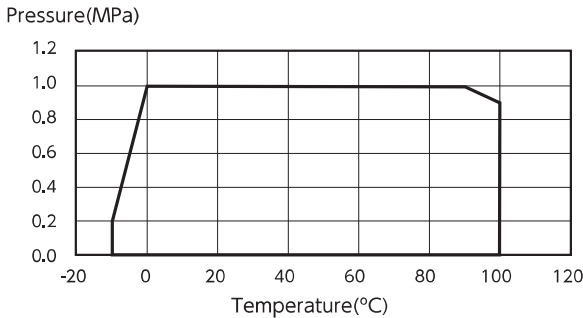
- One of the most versatile engineering thermoplastics.
- An outstanding candidate for metal replacement applications.
- High strength over wide temperature range.
- Stiffness and impact resistance is good.

■ Technical Specification

Maximum service pressure	1.0MPa
Service temperature range *	-10°C - 100°C
Face to Face	EN558 Basic series 20
Coupling Flanges	PN10 (JIS5K / 10K)

* Condition : Fluid is not frozen.

■ P-T Rating



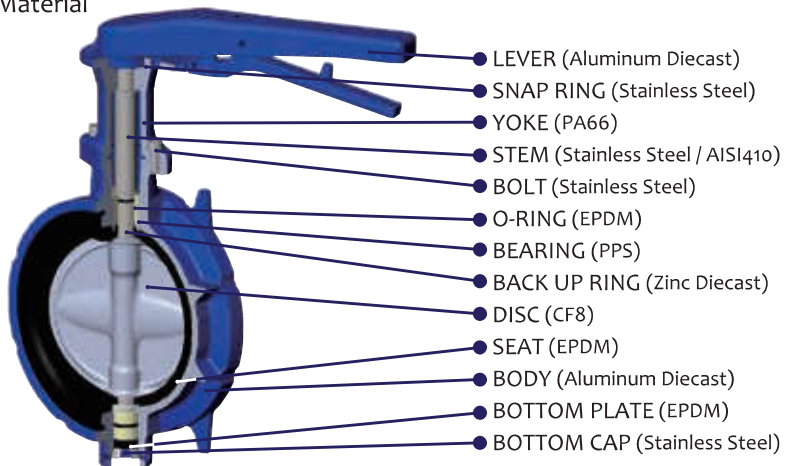
* Please contact to us for technical advice when service conditions may exceed the P-T rating range limited here.

■ Applications : Water , Air , Light Chemical *

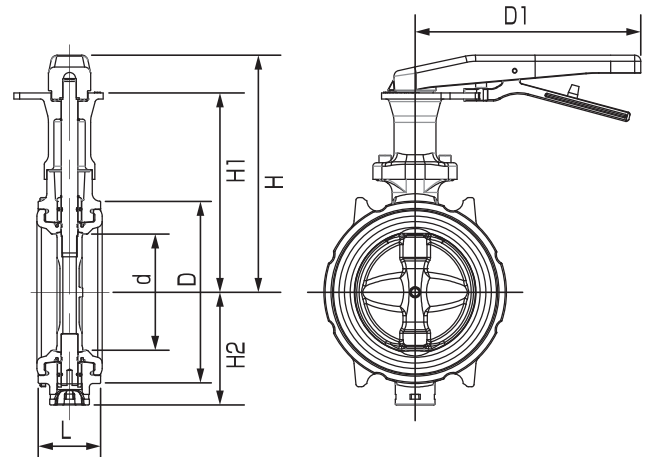
- HVAC
- Plumbing
- WTP (Water Treatment Process)
- ETP (Effluent Treatment Process)
- STP (Sewage Treatment Process)

* For detail : Please contact to us. (as below)

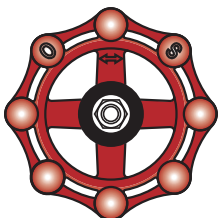
■ Material



■ Dimensions



									(mm)
A	B	d	D	L	H	H1	H2	D1	
50	2	50	87	43	170	138	44	188	
65	2 1/2	66	107	46	178	146	73	188	
80	3	79	122	46	188	156	84	188	
100	4	101	152	52	198	166	94	188	
125	5	125	178	56	242	201	125	260	
150	6	148	208	56	254	216	136	260	
200	8	198	257	60	280	240	165	350	



ISO 9001 certified since 1989

KITZ

KITZ CORPORATION

- Distributed by -