

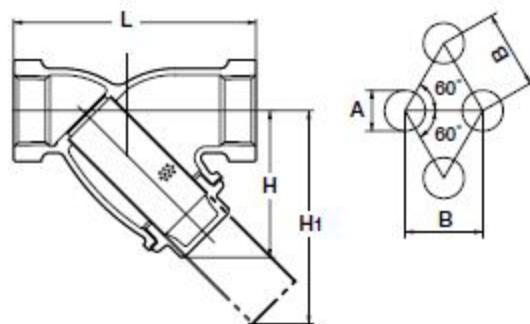
CLASS 150

Y-PATTERN STRAINER

Y-Pattern body, Screwed cap, 304 stainless steel screen
Threaded ends to BS21 (JIS B0203) or NPT,
or solder joint ends.

W.O.G. non-shock 2.07 MPa (300 psi), Saturated steam pressure 1.03 MPa (150 psi) up to size 2*

*Contact KITZ for larger sizes



Materials

Parts	Material
Body	Bronze
Body cap	Brass
Screen	Type 304 stainless steel

	A	B
3/8 to 2	1.4	2.4
2 1/2 to 3	1.5	2.5

Caution

Solder joint end valves should not be used in service where the temperature of line fluid is higher than the softening point of solder.

Fig. Y

- Threaded end to BS21 (JIS B0203)

Fig. AKY

- Threaded end to ASME B1.20.1

Fig. CY

- Solder joint ends to JIS B2011 / ASME B16.18 (2 1/2 & 3)

Dimensions

Nominal Size	mm									
	Inch	3/8	1/2	3/4	1	1 1/4	1 1/2	2	2 1/2	3
L Threaded end to end		70	80	100	115	135	160	195	230	240
L1 Solder			80	105	125	145	170	210	250	280
H Height		44	49	57	70	82	98	121	148	180
H1		61	68	83	105	124	149	188	216	267