

BLV-1

Body of BLV-1 is made of bronze and ball is made of chrome-plated or stainless steel.
Widely applicable for steam, air, water or oil application



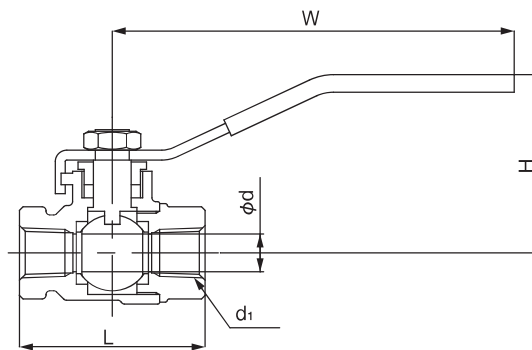
Specifications

Application		Steam, Air, Cold and hot water, Oil, Other non dangerous fluid
Maximum pressure		Saturated steam: 1.0 MPa Water, oil, air or other non-dangerous fluid at 40°C or lower: 4.12 MPa
Material	Body	Bronze
	Ball	Cr plated brass or stainless steel
	Stem	Brass
Connection		JIS Rc screwed

* Valve (ball) is closed at the time of shipment from factory.
* There is no restriction on flow direction.

Dimensions (mm) and Weight (kg)

Nominal size	d ₁	d	L	H	W	Weight
8A	Rc 1/4	10	49	47	106	0.2
10A	Rc 3/8	10	49	47	106	0.2
15A	Rc 1/2	12.7	53	47	106	0.3
20A	Rc 3/4	15	56	52	106	0.3
25A	Rc 1	20	68	55	106	0.5
32A	Rc 1-1/4	25	86	66	136	0.8
40A	Rc 1-1/2	31.8	96	72	136	1.2
50A	Rc 2	38	108	77	136	1.8



Please refer to the manual attached to the product for procedures for installation and operation.

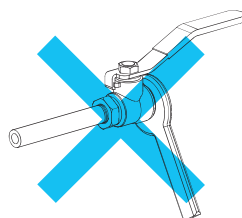
GLV-1 Globe valve/BLV-1 Ball valve

Precautions for installation

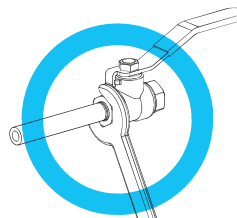
GLV-1 Globe Valve/BLV-1 Ball Valve

- Store the product indoors in a dust free, low humidity, dry and ventilated environment.
- Installation should be conducted by suitably trained personnel, wearing protective head, eye, hand and foot protection.
- The product can be used for "complete opening" and "complete closing". If the product is used at intermediate opening, ball and ball seat may be damaged.
- Be careful that the threaded connection between the mating pipe and the internal threaded connections of the valves are in line to avoid piping stresses in the valves.
- During transportation or storage of the product leakage may occur from the washer of packing due to decreasing of tightening pressure by stress relaxation of the packing. Be sure to retighten the washer of packing before use.
- When connecting the product and the piping, apply seal agent (such as seal tape) to the screw part of the piping. Use seal agent appropriate for temperature, fluid, etc.
- In case that the product is expected to be frozen, be sure to conduct freezing prevention measures or water draining treatment (after use).
- For Globe valve, sliding of stem may lead to mix the chipping of packing with the inside of fluid at the stage of valve open and close operation by turning the handle. To avoid mixing of packing chipping with the inside of fluid, place the filter under the globe valve.
- Globe valve can be used (fully opened)/(fully closed) operation. It can be damaged to the valve body and valve seat area by erosion when using partially open and close condition.
- Please be sure to open and close operation of globe valve by manual. Do not apply the turning of handle. If doing so, it may cause damage.
- To connect the product to piping, use appropriate tool such as spanner with spanner apply part near the piping. In addition, do not make piping work with applying a pipe wrench to the product. If doing so, it leads to malfunction of the product. (see fig. 1)

Fig. 1



N.G.



O.K.