

TA-11·11L

Features

1. Easy to clean by removing the valve seat even if scale or dirt deposits on the valve disc or valve seat.
2. Can be installed in small space because of compact body.
3. Since the shapes of valve and float adopt Yoshitake unique structure, stable performance and sufficient exhaust capacity can be obtained.
4. Even if water leaks out of the TA-11 due to failure, it can be stopped immediately by tightening the end cap, ensuring safety.
5. Vinyl hose can be connected easily to the TA-11L.

Specification

| | | |
|---------------------|--------|--|
| Application | | Cold and hot water |
| Working pressure | | 0.01-0.3 MPa |
| Maximum temperature | | 100°C |
| Material | Body | Brass |
| | Disc | NBR |
| | Seat | Brass |
| | Float | Heat-resistant resin |
| Connection | Inlet | JIS R screwed |
| | Outlet | TA-11: Cap type TA-11L: Hose joint type |
| Metal plating | | Nickel-plated |



TA-11

Dimensions (mm) and Weights (g)

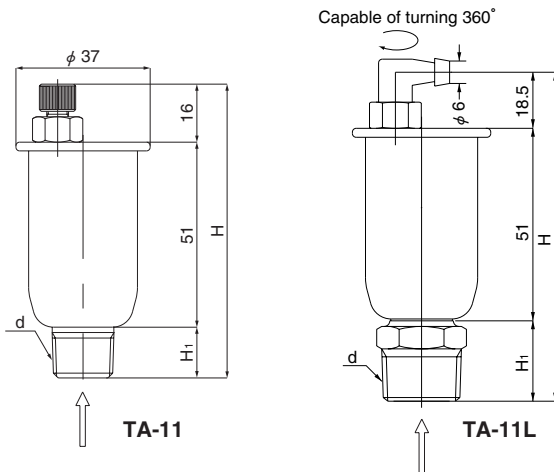
●TA-11

| Nominal size | d | H | H ₁ | Weight |
|--------------|-------|------|----------------|--------|
| 6A | R 1/8 | 78 | 11 | 75 |
| 10A | R 3/8 | 81 | 14 | 77 |
| 15A | R 1/2 | 89 | 22 | 98 |
| 20A | R 3/4 | 95.5 | 28.5 | 148 |

●TA-11L

| Nominal size | d | H | H ₁ | Weight |
|--------------|-------|------|----------------|--------|
| 6A | R 1/8 | 80.5 | 11 | 72 |
| 10A | R 3/8 | 83.5 | 14 | 74 |
| 15A | R 1/2 | 91.5 | 22 | 95 |
| 20A | R 3/4 | 98 | 28.5 | 145 |

• The shapes of 6A and 10A are slightly different.



Exhaust Capacity Chart

