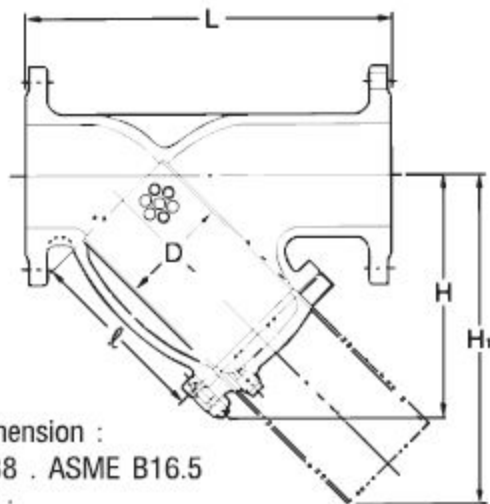


**Fig. 10UYA****Class JIS 10K**

End Flange Dimension :  
JIS B2238 · ASME B16.5

Wall Thickness :  
ASME B16.34

Pressure-Temperature Rating:

JIS B2238 · ASME B16.34

**Materials**

| Parts  | Materials       |
|--------|-----------------|
| Body   | SCS13A          |
| Cover  | SCS13A          |
| Gasket | Reinforced PTFE |
| Screen | SUS304          |

Note : • Screen is a 40-mesh stainless wire net reinforced with a punched stainless steel plate.

• Size 10" and larger for Fig. 10UYA(M)

**Dimensions**

| size           | mm   |                  |       |       |       |       |       |      |       |
|----------------|------|------------------|-------|-------|-------|-------|-------|------|-------|
|                | inch | 2 <sup>1/2</sup> | 3     | 4     | 5     | 6     | 8     | 10   | 12    |
|                | mm   | 65               | 80    | 100   | 125   | 150   | 200   | 250  | 300   |
| L              | in.  | 10.63            | 11.42 | 13.78 | 15.35 | 17.32 | 21.25 | 29.9 | 34.2  |
|                | mm   | 270              | 290   | 350   | 390   | 440   | 540   | 760  | 870   |
| H              | in.  | 6.3              | 7.8   | 9.2   | 10.5  | 12.6  | 15.0  | 21.2 | 25    |
|                | mm   | 160              | 197   | 233   | 267   | 320   | 380   | 538  | 635   |
| H <sub>1</sub> | in.  | 8.5              | 10.4  | 12.6  | 15.0  | 17.8  | 21.9  | 28.5 | 34.3  |
|                | mm   | 215              | 263   | 320   | 383   | 452   | 555   | 725  | 870   |
| D              | in.  | 2.8              | 3.4   | 4.3   | 5.4   | 6.4   | 8.3   | 10.6 | 12.6  |
|                | mm   | 72               | 86    | 110   | 137   | 162   | 212   | 270  | 320   |
| ℓ              | in.  | 4.72             | 5.91  | 7.09  | 8.46  | 10.04 | 12.20 | 15.7 | 18.90 |
|                | mm   | 120              | 150   | 180   | 215   | 255   | 310   | 400  | 480   |