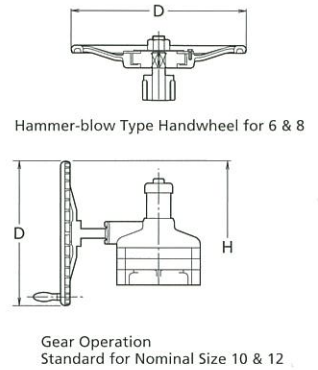
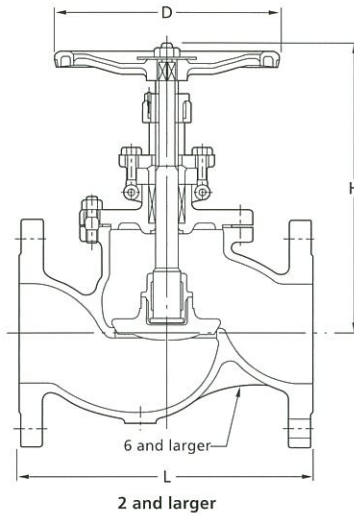
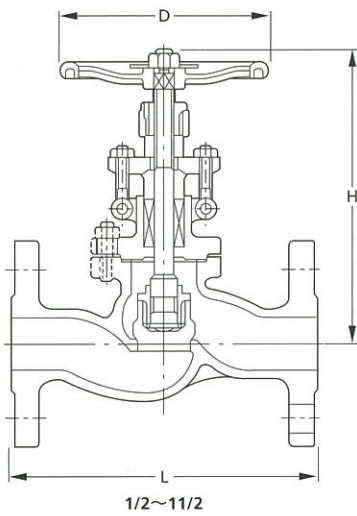


10UPA(T)

10UPAM(T)



1/2~11/2

2 and larger



Materials

Parts	10UPA(T)*	10UPAM(T)*
Body	SCS13A	SCS14A
Bonnet	SCS13A	SCS14A
Stem	SUS304	SUS316
Disc	SUS304	SUS316
	1/2 to 2	
	2 1/2 to 12	
Disc holder	SCS13A/PTFE	SCS14A/PTFE
Gland	SUS304	SUS316
Gland flange	SUS304	SUS316
Gland packing	SCS13A	
Gasket	Refer to Page 10	
Yoke bush	Refer to Page 10	
Handwheel	Ductile Ni-resist	
Gland bolt/nut	FCD400	
Bonnet bolt/nut	SUS304/304	
Name plate	SUS304/304	
	A1050P	

\* (T) Suffixing stands for the provision of ceramic filled PTFE gaskets.  
 Note: \* Body seats and/or disc seats can be optionally hard-faced.  
 Hammer-blow type handwheel for 6 and 8

Items	
Face-to-Face Dimensions	ASME B16.10
End Flange Dimensions	JIS B2220
Wall Thickness	ASME B16.34 Class 150

Nominal Size	1/2	3/4	1	1 1/4	1 1/2	2	2 1/2	3	4	5	6	8	10	12	
	15	20	25	32	40	50	65	80	100	125	150	200	250	300	
L	in.	4.25	4.26	5.00	5.50	6.50	8.00	8.50	9.50	11.50	14.00	16.00	19.50	24.50	27.50
	mm	108	117	127	140	165	203	216	241	292	356	406	495	622	698
H (open)	in.	7.8	6.6	6.8	7.5	8.1	9.3	9.8	11.5	12.8	15.0	17.8	22.0	35.4	41.4
	mm	198	168	173	190	205	235	248	291	325	380	453	559	1034	1051
D	in.	3.5	3.5	3.9	4.7	5.5	6.3	7.1	7.9	8.9	9.8	13.8	15.7	19.7	19.7
	mm	90	90	100	120	140	160	180	200	225	250	350	400	500	500