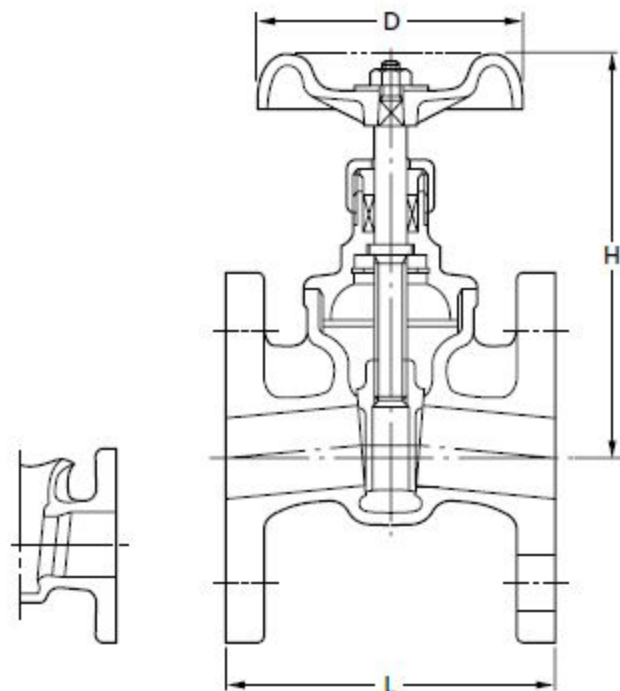


# 10K

# GATE VALVE

Pressure-Temperature Rating: 1.0MPa: 180°C



Parts	UEB	UEBM
Body	SCS13A	SCS14A
Bonnet	SUS304/SCS13A	SUS316/SCS14A
Stem	SUS304	SUS316
Disc	SCS13A	SCS14A
Gland	SUS304	SUS316
Gland packing	Refer to Page 10	
Packing nut	SCS13A/SUS304	
Handwheel	ZDC (1/2 & 3/4) / ADC12 (1~3)	
Snap ring	SUS316	
Name plate	A1050P	

Face-to-Face Dimensions: JIS B2011\*  
 End Flange Dimensions: JIS B2220\*\*  
 Wall Thickness: KITZ Std.

\*KITZ standard for Size 1/2 & 3/4.  
 \*\*Except flange thickness.

2 1/2 and larger

2 1/2 and smaller

UEB

UEBM

Nominal Size	Unit:mm							
	1/2*	3/4*	1	1 1/4	1 1/2	2	2 1/2	3
L	85	95	100	110	125	140	170	190
H	99	105	116	128	170	188	248	275
D	70	70	80	80	100	100	135	155

\*UEB only