

AL-300·301

Features

1. Safety valve, simple structure and easy maintenance.
2. Easy adjustment.

Specifications

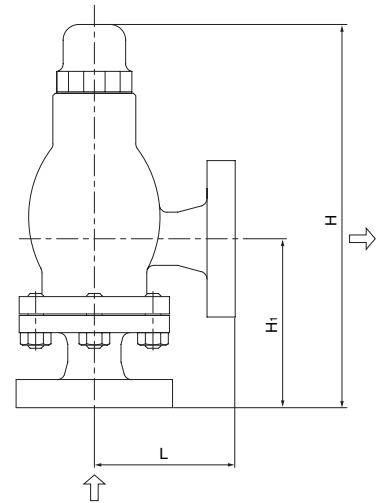
Model		AL-300	AL-301
Structure		Closed type	
Application		Steam	
Working pressure		0.05-1.0 MPa	0.05-1.6 MPa
Maximum temperature		220°C	
Material	Valve case	Ductile cast iron	
	Spring case	Ductile cast iron	
	Valve, valve seat	Cast bronze	Stainless steel
Connection		JIS 10K FF flanged	JIS 10K FF flanged JIS 16K FF flanged *

* JIS 16K FF flanged when working pressure is more than 1.0 MPa.



Dimensions and Weights

Nominal size	Dimension (mm)				Flow area $\pi D l$ (mm ²)	Weight (kg)
	L	H ₁	H	Seat diameter		
15A	90	108	245	25	49.1	4.7
20A	90	108	245	25	49.1	5.0
25A	90	108	245	25	49.1	6.2
32A	91	115	285	37	107.6	8.6
40A	91	115	285	38	113.5	8.8
50A	105	132	311	50	196.4	12.6



Certified Capacity Table

● For steam (saturation temperature) <Pressure vessel structure standard>

(kg/h)

Nominal size	Pressure MPa																
	0.05	0.1	0.2	0.3	0.4	0.5	0.6	0.7	0.8	0.9	1.0	1.1	1.2	1.3	1.4	1.5	1.6
15A	38	50	73	98	123	148	172	196	220	244	268	292	316	340	364	387	411
20A	38	50	73	98	123	148	172	196	220	244	268	292	316	340	364	387	411
25A	38	50	73	98	123	148	172	196	220	244	268	292	316	340	364	387	411
32A	85	110	160	214	270	324	377	430	482	535	588	640	693	745	798	849	902
40A	89	116	168	226	285	342	398	454	509	564	620	675	731	786	841	896	951
50A	155	201	292	392	494	592	689	785	881	977	1073	1169	1265	1360	1456	1551	1645

- AL-300: 0.05-1.0 MPa
AL-301: 0.05-1.6 MPa
- Please contact us for the calculation procedure for nominal size selection.